

Dual Output Pressure Sensor

PDCR 3500



Digital Output

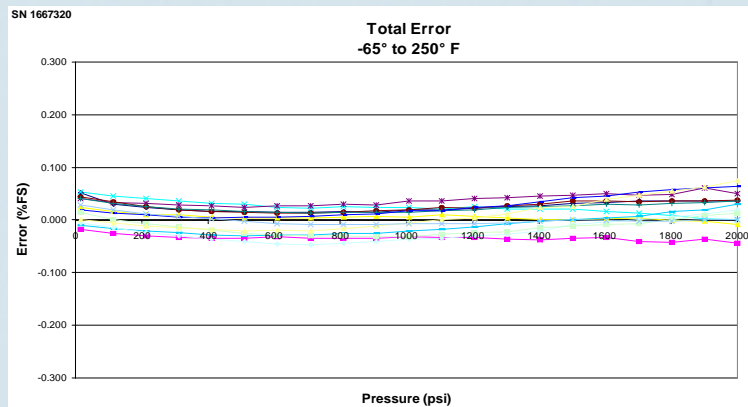
Pressure	1527.257 psi abs
Serial #	1667320
Last cal date	09/21/2002
Manufactured	04/10/2002

- Extensive electronic self test
- Unit ID - inventory control (QS-9000)
- 32 sensors on single RS 485

Analog Output



- $\pm 0.05\%$ FS per year stability
- Total accuracy: $\pm 0.1\%$ FS for -65° to 250° F
- Response time > 4 KHz



PDCR 3500

Digital & Analog Output Sensor

The PDCR 3500 offers a unique capability of digitally enhanced, high accuracy output, coupled with high analog bandwidth. The transducer is a 1 inch diameter fluid isolated analog output device similar to the PMP 4000 Series. It achieves a total accuracy performance of up to $\pm 0.1\%$ FS over -65° to 250° F with the support from internal digital electronics which correct for the repeatable errors without affecting the analog bandwidth.

Due to internal microprocessor electronics, the PDCR 3500 can also give a digital pressure output in engineering units via RS485. The RS485 is also used for re-calibration and housekeeping activities such as serial number retrieval and diagnostics.

The PDCR 3500 is therefore two transducers in one. Customers can use either the analog or digital output (or both) depending on the requirements of their application.

SPECIFICATION

Pressure Range

Any range between 5 psi to 1000 psi gauge or absolute, 1000 to 10,000 psi sealed gauge or absolute. Other units may be specified.

Overpressure

2x pressure range with negligible change in calibration coefficients

Pressure Containment

6x pressure range up to 3000 psi for ranges up to 1000 psi
4x pressure range up to 20,000 psi for ranges above 1000 psi up to 10,000 psi

Media Compatibility

Fluids compatible with stainless steel 316L and Hastelloy C276

Excitation Voltage

18 to 32 volts

Non-Linearity, Hysteresis and Repeatability Over Calibrated Temperature Range

$\pm 0.2\%$ FS Pressure
 $\pm 0.3\%$ FS Pressure after 12 months
 $\pm 0.5\%$ FS Pressure after 36 months

Operating Temperature Range

-65° to 250° F

Calibrated Temperature Range

-65° to 250° F

Pressure Connection

7/16" - 10 UNJF to MS33656-4
Others available on request

Electrical Connection

10 Pin bayonet plug to MIL-C-26482 Shell size 12

Analog Output

Output 0 to 5 VDC
Resolution Infinite

Digital Output

Hardware RS485 half duplex 5 Vpp signal
Protocol ASCII based, Refer to TN476
Software Device fitted with DK 235. V1

Default Settings

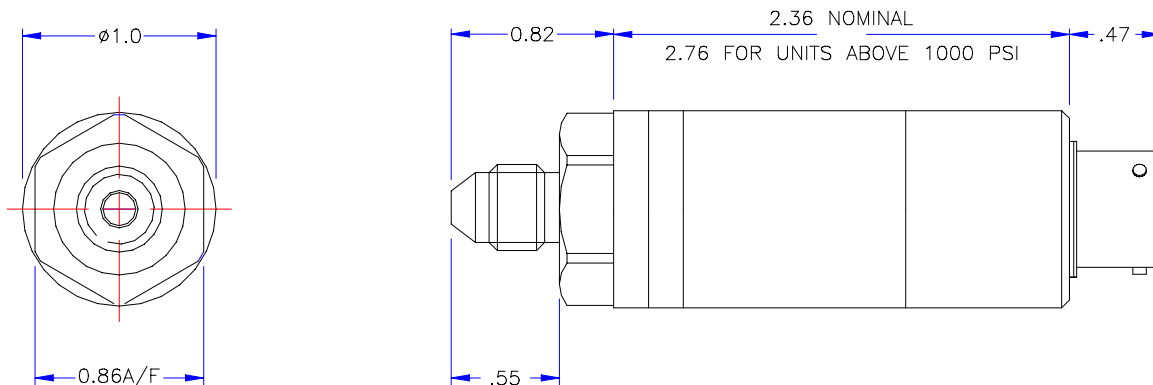
Function	Value
Baud Rate	9600

Continuing development sometimes necessitates specification changes without notice.

Druck is an ISO 9001 registered company.



INSTALLATION DRAWINGS: Dimensions in inches



Druck Incorporated
4 Dunham Drive
New Fairfield, CT 06812
Tel: (203) 746-0400
Fax: (203) 746-2494
E-mail: usa.sales@druck.com
www.druck.com
www.pressure.com